



18865 Goll Street. - San Antonio, Tx 78266  
 ph. 210-654-7171 - fax 210-654-3113

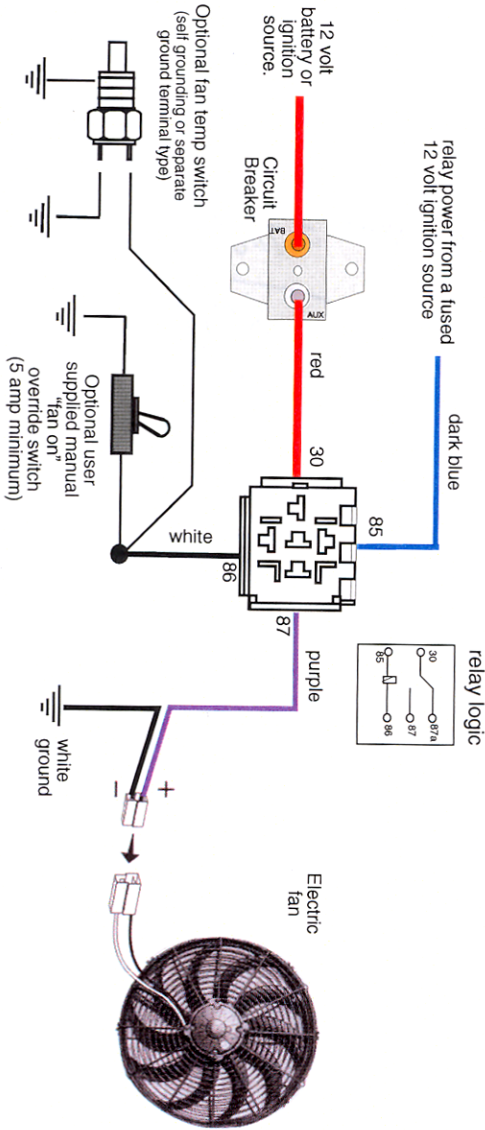
PART # **23101-VUW**

**ELECTRIC FAN WIRING KIT**  
**(40 amp)**

**500553**

92965488 instruction sheet Rev 1.2 3/28/2005

**BASIC ELECTRIC FAN RELAY WIRING**



**TYPICAL ELECTRIC FAN RELAY WIRING WITH TRINARY SWITCH**

NOTE: Trinary switch connection for #24676-VUS switch shown

